

ATS-545-M THERMOSTREAM®

DATASHEET AND SPECIFICATIONS

-80° to +225°C



Advanced Temperature Source for fast and precise thermal conditioning of components, parts, hybrids, modules, subassemblies, and printed circuit boards. Capable of ultra-low temperatures **without** the use of Liquid Nitrogen (LN₂) or Liquid Carbon Dioxide (LCO₂).

PERFORMANCE:

Temperature Range*

-75 to +225°C (50Hz)

-80 to +225°C (60Hz)

No LN₂ or LCO₂ Required

Transition Rate*

-55 to +125°C, approx. 10 seconds or less

125 to -55°C, approx. 10 seconds or less

System Airflow Output*

4 to 18scfm (1.9 to 8.5 l/s) Continuous

* under nominal operating conditions
ultimate low temperatures (±1°) achieved at 12scfm

TEMPERATURE CONTROL:

Temperature Display & Resolution

+/- 0.1°C

Temperature Accuracy

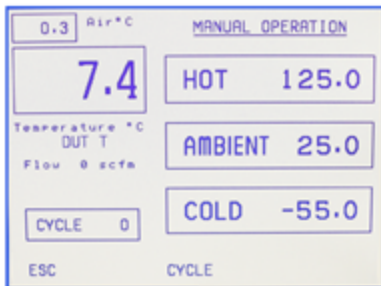
1.0°C (when calibrated against NIST standard)

DUT Temperature Control

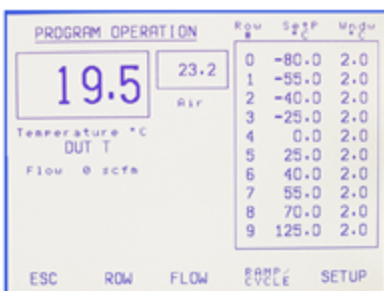
proprietary control algorithm enables DUT temperature to be directly controlled

DUT Sensor Ports

thermocouples (type T & K),



OPERATOR SCREEN



PROGRAM SCREEN

FEATURES:

► Frost Free Feature

dry air purge for tester interface, prevents condensation: 0.5 to 3scfm (0.25 to 1.5 l/s)

► ECO Friendly Feature

Heat Only Mode

reduces power usage when cold temperatures are not used

► Fully Adjustable Thermal Head

► Local & Remote Operations

► LabView™ drivers

► IEEE-488, RS232 ports

► customizable and savable test setups

► Program & Datalog Storage

► User Defined Temperature Limits

APPLICATION OPTIONS:

► Thermal Cap or FlexExtender Hose

4.5 or 5.5 inch ID Thermal Cap or optional FlexExtender Hose for connection to external Thermal Chambers or enclosures

► MobileTemp™ Thermal Chambers

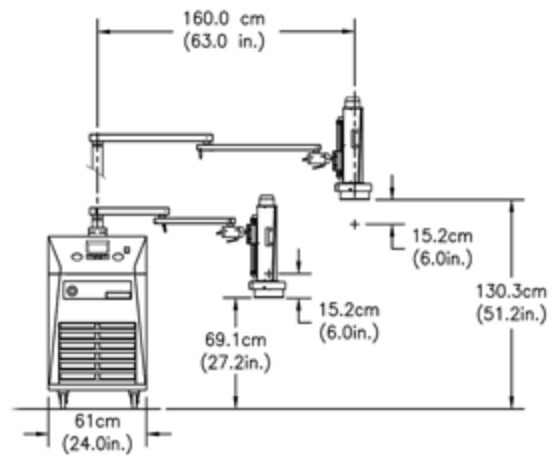
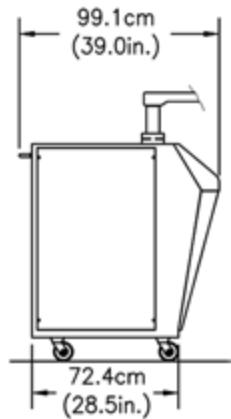
Temperature Chambers designed specifically for uses with ATS THERMOSTREAM® Systems. See Additional Datasheets for details.



Specifications

ATS-545-M THERMOSTREAM® Advanced Temperature Source

System Dimensions - Standard



Weights and Dimensions

| | |
|---------------------------------|---|
| Base¹ | Width: 61.0 cm (24 in.), Depth: 72.4 cm (28.5 in.) Height: 108 cm (42.5 in.) |
| System Weight | Not packed: 236 kg (520 lbs.) Packed: 365 kg (805 lbs.) |
| Mobility | Four static dissipative, swivel caster wheels |
| Maximum Reach | 160.0cm (63 in.) |
| Maximum Operating Height | 130.3 cm (51.2 in.) - extended height option: 188.0 (74.0 in.) |
| Minimum Operating Height | 69.1 cm (27.2 in.) - extended height option: 81.3 (32.0 in.) |
| Noise Level | <65dBA |

¹ an additional 20.3cm (8 in.) clearance is required for supply connections and cabinet ventilation

Service and Safety

| | |
|------------------------------------|--|
| Refrigerants | HCFC and CFC-free, non-toxic, non-flammable |
| Serviceability | Auto-diagnostics and field replaceable modules |
| Over Temperature Protection | +230°C (factory set): Operator can set high and low air temperature limits |

Facility Requirements

| | |
|--|---|
| Power² | 200 - 250 VAC (230V nominal), 50/60Hz 30 amp, 1phase |
| Compressed Air³ | |
| Clean, Dry Air (CDA) | Filtered to 5 micron particulate contamination. Oil Content: <0.1 ppm, by weight, filtered to 0.01 micron oil contaminant. Dewpoint: <10°C @ 6.2 BAR (90PSI) |
| Air Supply Pressure | 6.2 to 7.6 BAR (90 to 110 PSIG) |
| Total Air Flow Rate Required | 7.1 to 14.2 l/s (15-30 scfm) 11.8 l/s (25 scfm) nominal |
| Air Supply Temperature | +20° to +25°C; +22°C nominal |
| Operating Environment³ | |
| Operating Temperature | +20° to +28°C; +23°C nominal |
| Humidity | 0 to 60%; 45% nominal |



inTEST Thermal Solutions
41 Hampden Road
Mansfield, MA 02048
TEL: 1.781.688.2300
www.inTESTthermal.com

ISO 9001 Certified



² System is configured for operation within voltages listed above using an internal transformer. Please specify power configuration with order

³ Under operating conditions which are greater or less than nominal, performance may be less than specification provided